



THIS DRAWING IS UNPUBLISHED. RELEASED FOR PUBLICATION 2011  
 © COPYRIGHT 2011 BY - ALL RIGHTS RESERVED.

LOC	DIST	REVISIONS			
P	LTR	DESCRIPTION	DATE	DWN	APVD
-	-	SEE SHEET 1	-	-	-

### POLARIZATION TYPES

POLARIZATION TYPE "A"	POLARIZATION TYPE "B"	POLARIZATION TYPE "C"
PNs 0-293774-1 AND 1-293774-1	PNs 0-293774-2 AND 1-293774-2	PNs 0-293774-3 AND 1-293774-3
POLARIZATION TYPE "D"	POLARIZATION TYPE "E"	
PNs 0-293774-4 AND 1-293774-4	PNs 0-293774-5 AND 1-293774-5	

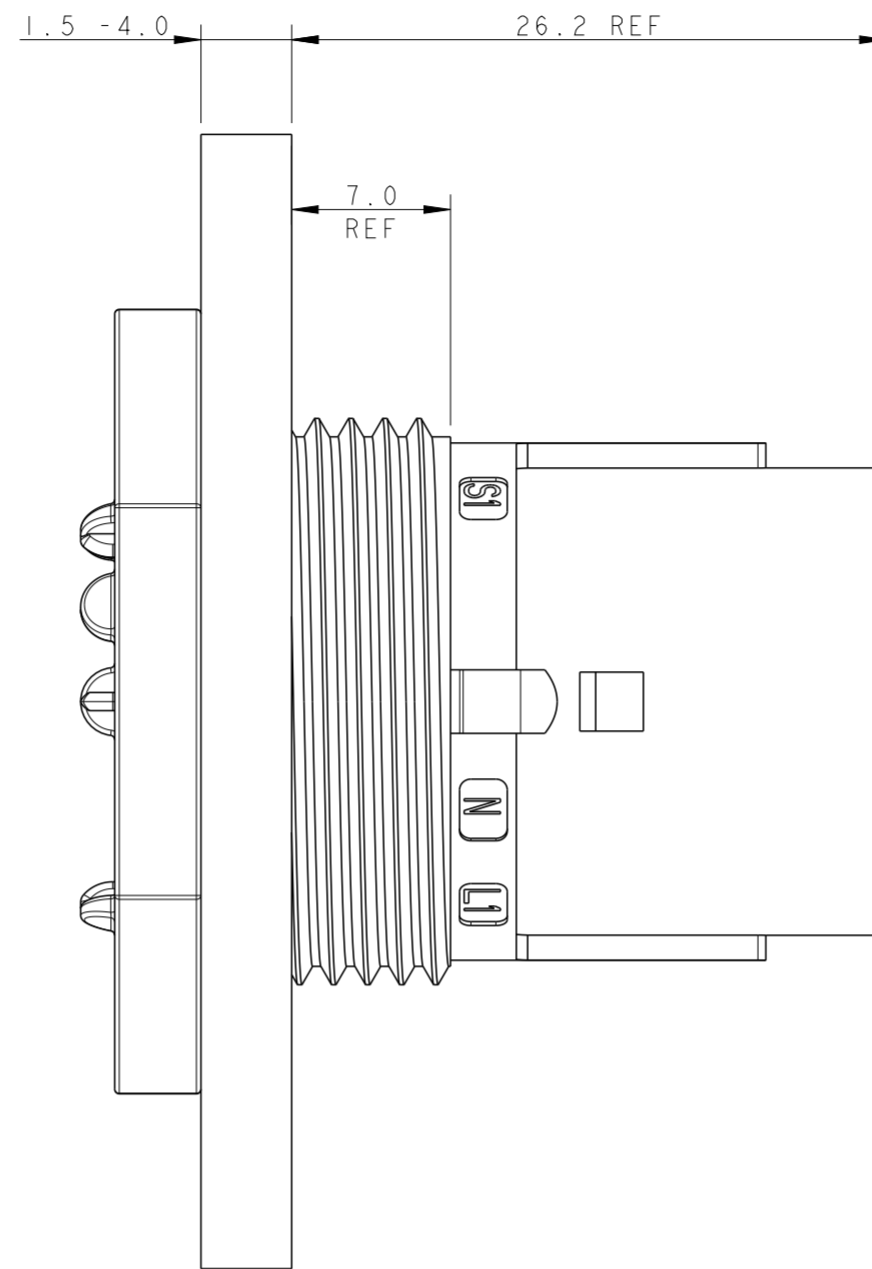
NOTE	POL. KEYING	COLOUR	DESCRIPTION	REV.	P/N
1	E	BLACK	PIN HSG 7 POLE PANEL MOUNT NECTOR* M-LINE	A	1-293774-5
1	D	BLACK	PIN HSG 7 POLE PANEL MOUNT NECTOR* M-LINE	A	1-293774-4
1	C	BLACK	PIN HSG 7 POLE PANEL MOUNT NECTOR* M-LINE	A	1-293774-3
1	B	BLACK	PIN HSG 7 POLE PANEL MOUNT NECTOR* M-LINE	A	1-293774-2
1	A	BLACK	PIN HSG 7 POLE PANEL MOUNT NECTOR* M-LINE	A	1-293774-1
1	E	NATURAL	PIN HSG 7 POLE PANEL MOUNT NECTOR* M-LINE	A	0-293774-5
1	D	NATURAL	PIN HSG 7 POLE PANEL MOUNT NECTOR* M-LINE	A	0-293774-4
1	C	NATURAL	PIN HSG 7 POLE PANEL MOUNT NECTOR* M-LINE	A	0-293774-3
1	B	NATURAL	PIN HSG 7 POLE PANEL MOUNT NECTOR* M-LINE	A	0-293774-2
1	A	NATURAL	PIN HSG 7 POLE PANEL MOUNT NECTOR* M-LINE	A	0-293774-1

THIS DRAWING IS A CONTROLLED DOCUMENT.		DWN 31MAR2011 A. BERNARDI		TE Connectivity	
DIMENSIONS: mm		CHK 31MAR2011 M. ZUCCA		NAME PIN HOUSING 7 POLES PANEL MOUNT M-LINE NECTOR	
TOLERANCES UNLESS OTHERWISE SPECIFIED:		APVD 31MAR2011 G. TURCO	SIZE	CAGE CODE	DRAWING NO
0 PLC ±	1 PLC ±0.3	PRODUCT SPEC	A2	0779	C-293774
2 PLC ±0.20	3 PLC ±	APPLICATION SPEC	SCALE	SHEET	OF
4 PLC ±	ANGLES ±3°	WEIGHT	3:1	2	3
MATERIAL FINISH	Customer Drawing	RESTRICTED TO	REV	A	

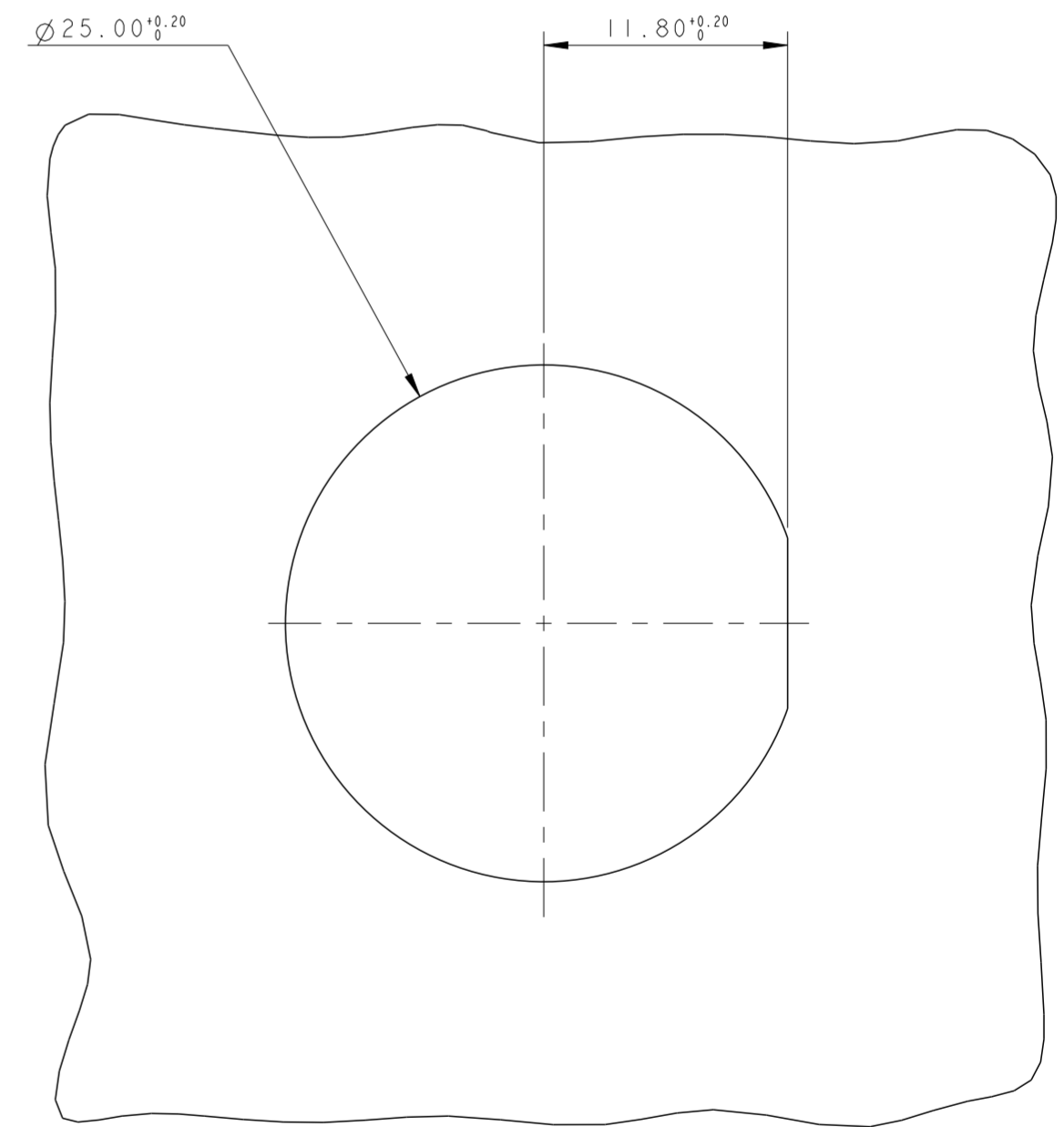
THIS DRAWING IS UNPUBLISHED. RELEASED FOR PUBLICATION 2011  
 © COPYRIGHT 2011 BY - ALL RIGHTS RESERVED.

LOC		DIST		REVISIONS			
P	LTR	DESCRIPTION	DATE	DWN	APVD		
-	-	SEE SHEET 1	-	-	-		

### PN 293774-3 AS SHOWN




### PANEL/WALL SUGGESTED LAYOUT



3D VIEWS FOR REFERENCE ONLY  
 PN 293774-3 AS SHOWN



SCALE 1:1

THIS DRAWING IS A CONTROLLED DOCUMENT.		DWN A. BERNARDI 31MAR2011	 TE Connectivity	
DIMENSIONS: mm		CHK M. ZUCCA 31MAR2011		
TOLERANCES UNLESS OTHERWISE SPECIFIED:		APVD G. TURCO 31MAR2011	NAME PIN HOUSING 7 POLES PANEL MOUNT M-LINE NECTOR	
0 PLC ±	1 PLC ±0.3	PRODUCT SPEC	SIZE	RESTRICTED TO
2 PLC ±0.20	3 PLC ±	APPLICATION SPEC	CAGE CODE	
4 PLC ±	ANGLES ±3°	WEIGHT	DRAWING NO	
MATERIAL	FINISH	Customer Drawing	A200779	
		SCALE 3:1	C-293774	
		SHEET 3 OF 3	REV A	